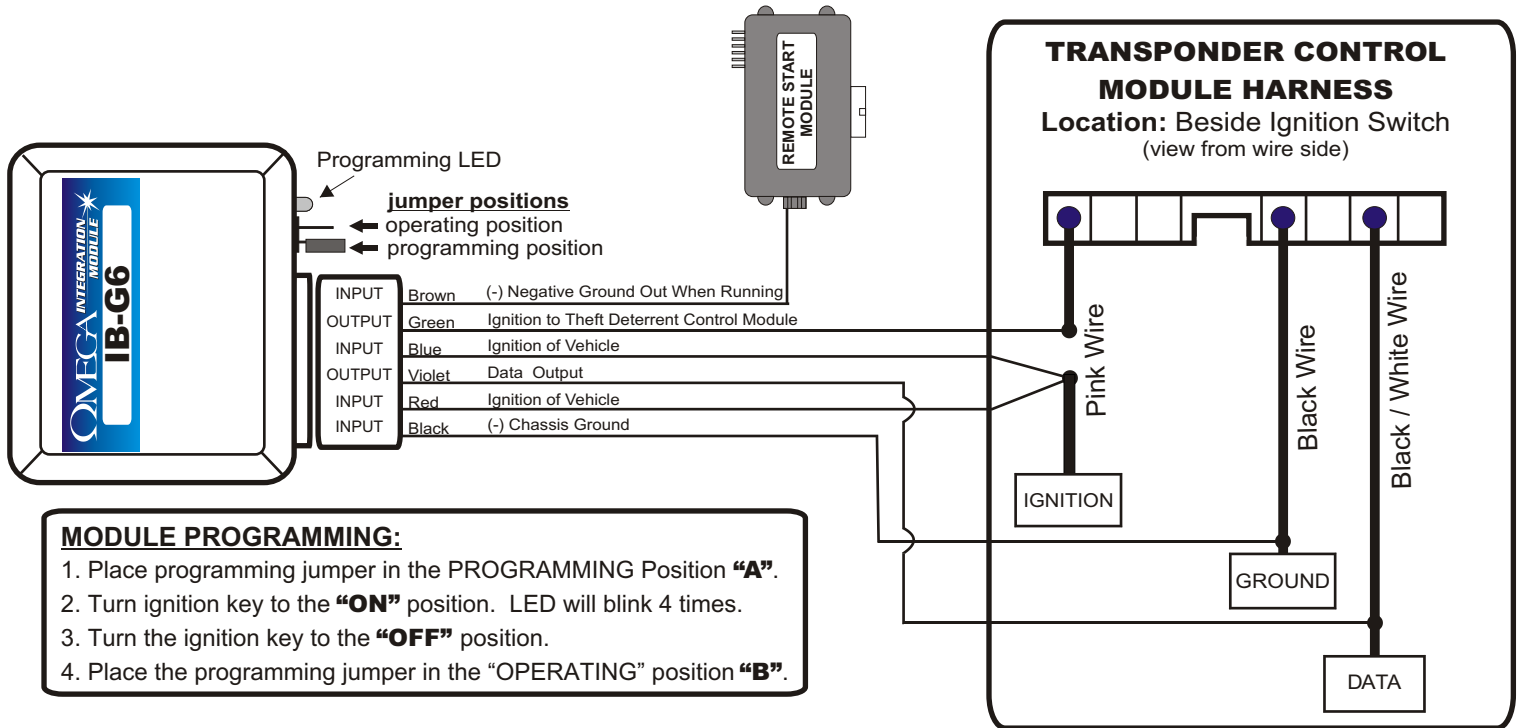


2004 CHEVROLET AVEO LS IMMOBILIZER BYPASS

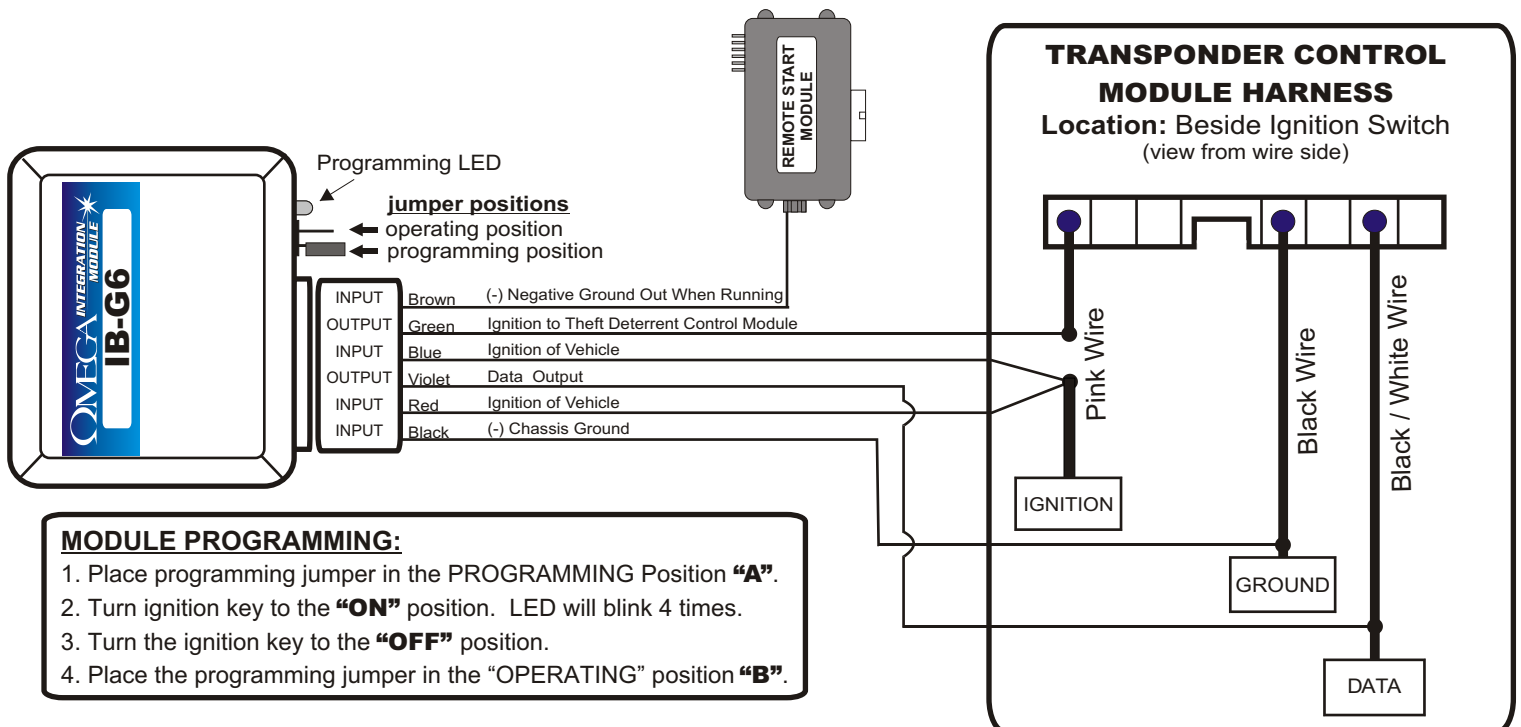


MODULE PROGRAMMING:

1. Place programming jumper in the PROGRAMMING Position "A".
2. Turn ignition key to the "ON" position. LED will blink 4 times.
3. Turn the ignition key to the "OFF" position.
4. Place the programming jumper in the "OPERATING" position "B".

IS_IB-G6 11/8/04

2004 CHEVROLET AVEO LS IMMOBILIZER BYPASS



MODULE PROGRAMMING:

1. Place programming jumper in the PROGRAMMING Position "A".
2. Turn ignition key to the "ON" position. LED will blink 4 times.
3. Turn the ignition key to the "OFF" position.
4. Place the programming jumper in the "OPERATING" position "B".

IS_IB-G6 11/8/04