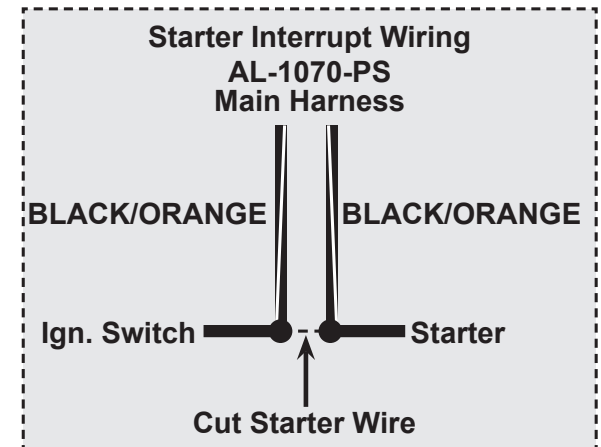
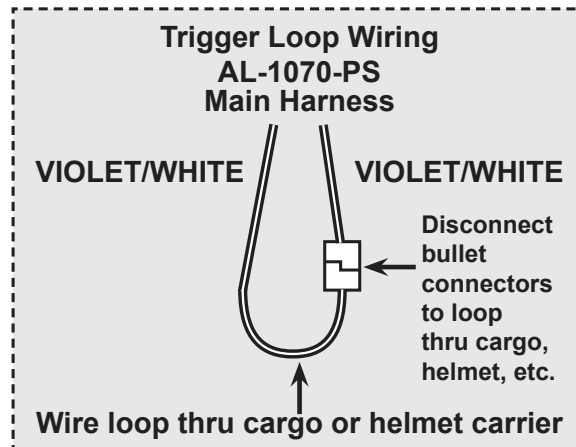
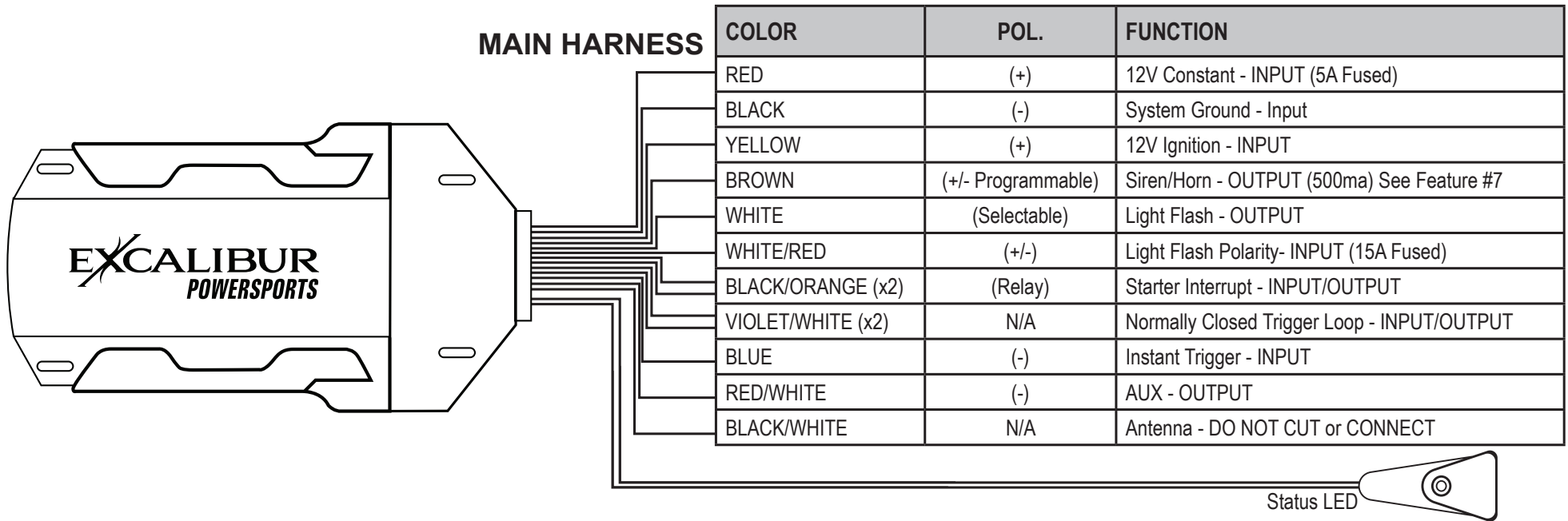


AL-1070-PS Wire Diagram



Tech Support

Phone: 800-921-TECH (8324)

Web: OmegaDealer.com

FB dealer group: [Facebook.com/groups/omegadealer](https://www.facebook.com/groups/omegadealer)

Corporate Site / Product Info: CarAlarm.com

EXCALIBUR

REMOTE START & SECURITY PERFECTED

AL-1070-PS QUICK REFERENCE

PROGRAMMING GUIDE

visit www.OmegaDealer.com to download a complete guide

Programming Features

- Disarm the system.**
- Turn the ignition "ON" five time** within 15 seconds (remaining in the "ON" position).
 - After 3 seconds the horn will briefly sound.
- Turn the ignition "OFF" and "ON" again.**
 - The siren will chirp 2 times indicating the system is in feature programming.
- Press the "ARM" button** to select the desired feature.
 - The siren will chirp equal to the current setting of the feature selected.
 - The LED will flash equal to the current feature selected.
 - EXAMPLE: Press arm once for feature #1, the LED will flash 1 count and the siren will chirp equal to the current option selected for feature 1. Press arm again for feature #2, the LED will flash 2 count and the siren will chirp equal to the current option selected for feature 2. Press arm again for feature #3, etc.
- Press the "DISARM" button** to select the setting of the selected feature.
 - Each press of the disarm button will scroll thru the feature options.
 - EXAMPLE: Press the disarm button 1x, then you'll hear 2 chirps for the second option. Press the disarm button 1x, then you'll hear 3 chirps for the third option.
- Repeat steps 4 & 5** at this time IF you wish to change any additional features.
- Turn the ignition "OFF"** to exit programming.
 - 5 seconds after ignition "OFF" the siren will sound indicating programming exit.
 - NOTE: The system will exit automatically at any time after 30 seconds of no activity.

Features Reset

- Enter Feature Programming** (described above).
- Press the "ARM" button to choose Feature #12.**
- Press the "DISARM" button** to reset all feature to default.

Tech Support

Phone: 800-921-TECH (8324)

Web: OmegaDealer.com

FB dealer group: [Facebook.com/groups/omegadealer](https://www.facebook.com/groups/omegadealer)

Corporate Site / Product Info: CarAlarm.com

Feature Chart

Programmable Features: Ignition off/on 5 times, short chirp, Ignition off/on again								
# Feature	Chirp 1x	Chirp 2x	Chirp 3x	Chirp 4x	Chirp 5x	Chirp 6x	Chirp 7x	Chirp 8x
1 Passive Starter Interrupt	OFF	ON						
2 Automatic Rearming	OFF	ON						
3 Anti-Hijacking	Off	On						
4 TILT Sensor Sensitivity	1°	5°	15°	30°				
5 Confirmation Chirps	On	Off						
6 Chirp Volume	Low	Med	High					
7 Siren/Horn Trigger Output	Siren (+)	Horn (-) Low	Horn (-) Med	Horn (-) High	Horn (-) Human Panic!			
8 Arm/Disarm Light Confirmation	On	Off						
9 SHOCK Sensor Sensitivity	Level 1	Level 2	Level 3	Level 4	Level 5	Level 6	Level 7	Off
10 Aux Output Operation	Pulse	Latched	Latched w/IGN Reset					
11 Override Mode	Valet	Secure Code						
12 System Reset		Default						

FEATURE SETTING KEY: Default Setting

Programming Transmitters

Use this method to program additional or replacement transmitters.
BEFORE YOU BEGIN: Have all transmitters which are to operate the system at hand.

- Disarm the system.**
- Turn the ignition "ON" five time** within 15 seconds (remaining in the "ON" position).
 - After 3 seconds the horn will briefly sound
- Press and release any button on each transmitter** one after the other.
 - The siren will chirp for each transmitter learned (MAX: 4).
 - NOTE: When a 5th transmitter is learned the first transmitter is erased and so on.
 - NOTE: All button functions will automatically be assigned.
- Turn the ignition "OFF"** to exit programming.
 - 5 seconds after ignition "OFF" the siren will sound indicating programming exit.
 - NOTE: The system will exit automatically at any time after 30 seconds of no activity.

Alarm Trigger Zone Diagnostics

If the alarm triggers, disarm/unlock the alarm with the remote and the parking lights will flash to indicate which zone(s) were triggered last. Turn the ignition key "ON" to clear memory.

Light Flashes	Violated Zone
4	Tilt or Shock Sensor
5	Instant Trigger wire (Blue)
6	Loop wire (Violet/White)
7	Ignition turned "ON"